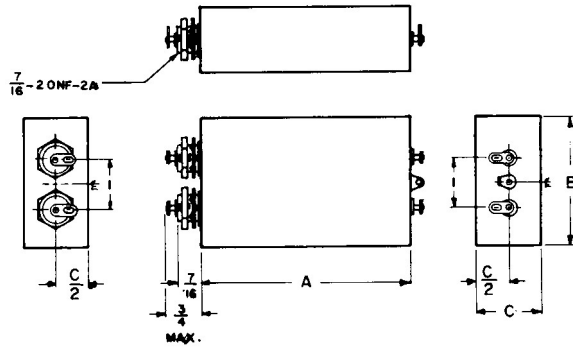




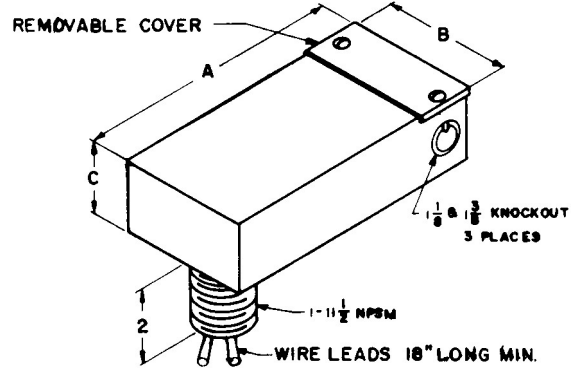
## RF Signal Line Filters for Secure Communications over Telephone and Signal Lines

**BULKHEAD STYLE: CABINET MOUNTING**

**PENETRATION STYLE: INDEPENDANT MOUNTING**



(DIMENSIONS IN INCHES)



Part No	Current (AMP)	Voltage	Freq (Hz)	A	B	C
FC-209	2 x 0.16	600VDC	0-60	4.75	2.50	1.25
FC-663	2 x 0.15	250VAC 600VDC	0-60	4.00	2.50	1.25
FC-1270	2 x 1.0	120VAC	0-60	7.25	3.50	1.50
FC-1273	2 x 0.5	120VAC	0-60	7.25	3.50	1.50
FC-1273	4 x 0.5	120VAC	0-60	7.25	7.00	1.50
FC-1273	8 x 0.5	120VAC	0-60	7.25	14.00	1.50

Units available in 5 AMPs configuration

**Telephone Filters FC-209, -1280:**

- Attenuation: 60dB at 14kHz, 100dB from 25kHz to 20GHz
- Impedance: 300Ω L/G, 600Ω L/L balanced

**High Current Telephone Filters FC-1273, -200A:**

- Attenuation: 100dB min from 25kHz to 10GHz
- Impedance: 300Ω L/G, 600Ω L/L balanced
- Pass Band: 0-3kHz

**High Data Rate Filters FC-663, -1193:**

- Attenuation: 100dB min from 100kHz to 10GHz
- Impedance: 300Ω L/G, 600Ω L/L balanced
- Pass Band: 0-23kHz, 1dB max at 23kHz

**Digital Line Filters**

Part No	Current (AMP)	Insertion Loss (dB)	Pass Band (kHz)	Stop Band (MHz)	Voltage	A	B	C
FC-3099B-9.6kB/s	2 x 0.15	80	0 - 100	0.4 - 10000	240VAC	4.75	2.50	1.25
FC-3099B-19.2kB/s	2 x 0.15	80	0 - 200	0.8 - 10000	240VAC	4.00	2.50	1.25
FC-3099B-64kB/s	2 x 0.15	80	0 - 640	2.5 - 10000	240VAC	7.25	3.50	1.50
FC-3099B-200kB/s	2 x 0.15	80	0 - 2000	8.0 - 10000	240VAC	7.25	3.50	1.50
FC-3099B-10MB/s	2 x 0.15	80	0 - 10000	40 - 10000	240VAC	7.25	3.50	1.50

Part No	Current (AMP)	Voltage	Freq (Hz)	A	B	C
FC-1280	2 x 0.16	600VDC	0-60	6.81	3.50	2.50
FC-1193	2 x 0.15	250VAC 600VDC	0-60	6.81	3.50	2.50
FC-754A	2 x 1.0	120VAC	0-60	10.00	4.25	3.00
FC-754A	2 x 1.0	220VAC	0-60	10.00	4.25	3.00
FC-754A	2 x 5.0	120VAC	0-60	10.00	4.25	3.00
FC-754A	2 x 5.0	220VAC	0-60	10.00	4.25	3.00
FC-754A	8 x 1.0	120VAC	0-60	9.00	14.00	2.50
FC-754A	8 x 1.0	220VAC	0-60	9.00	14.00	2.50
FC-200A	2 x 0.5	120VAC	0-60	6.81	3.50	2.50
FC-2930P	2 x 0.15	500VDC	0-60	4.00	2.50	1.25

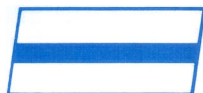
Units available in 5 AMPs configuration

**Fire Alarm Filters FC-1270, -754A:**

- Attenuation: 100dB min from 14kHz to 20GHz
- Inductive input and output

**Fire Alarm Filters FC-2930P**

- Attenuation: 0—500kHz—0.3dB max
- Attenuation: 2.5MHz—1GHz—100dB min

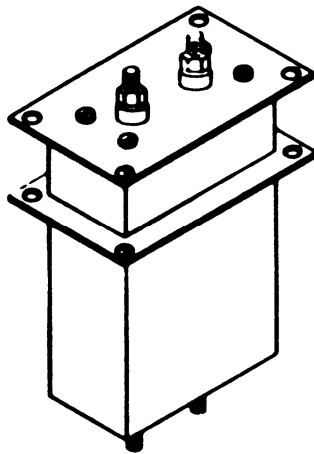




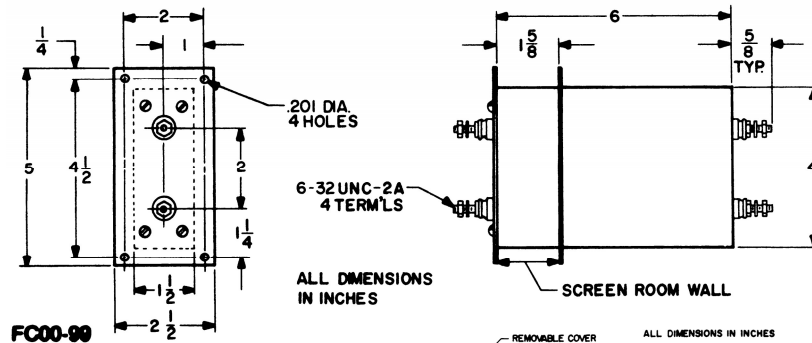


## RF Signal Line Filters for Secure Communications over Telephone and Signal Lines

### Individual Circuit Rectangular Filters

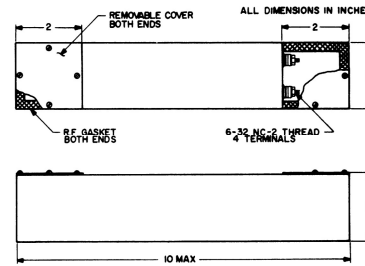


FC00-9x Series

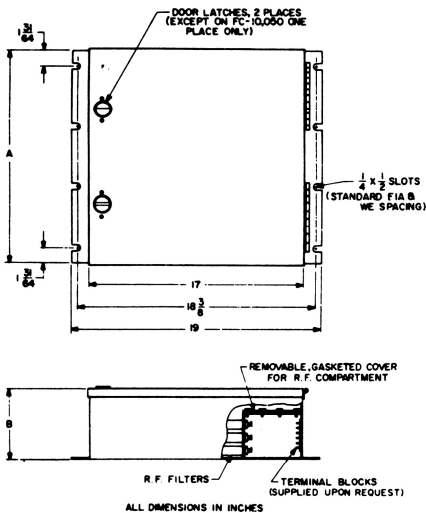


FC00-90

FC-10038



### Multi-Circuit Filters



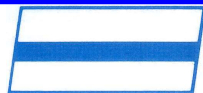
### Filter Module Cases

These cases will accommodate any of the following tubular filter types in any desired combination: FC-10054, FC-10048A, FC-10049A, FC-10036, FC-10037, FC-10042A.

No of Filters	A	B	Case Model
20	8 3/4	10 1/4	FC-10050
50	19 1/4	10 1/4	FC-10051
100	19 1/4	19 1/8	FC-10052
200	36 3/4	19 1/8	FC-10053

All units are hermetically sealed and housed in plated metal cases provided with mounting flanges and/or threaded necks for convenient mounting. Terminals are compression-type glass, solder sealed. Duty cycle is continuous for all units. When installed on a shield-room wall, the filters remove spurious high-frequency energy, while providing a continuous RF-tight shield for the filtered signal. Fil-Coil also supplies assemblies of any combination of filters, completely pre-wired to terminal strips and enclosed in RF-tight cabinet. All filters fabricated, tested and installed in accordance with military specification MIL-F-15733 and in accordance with the following detail requirements

Telephone type filters are installed and wired in a metallic shielded enclosure. The enclosures used to house the individual filters are constructed so that the input and output circuits of the filter are shielded from each other to provide the required attenuation. The shielded compartment of the filter enclosure incorporates a removable cover to provide easy access for installation. This shielded compartment has a RF gasket between the cover and the cover mounting surface to maintain the RF integrity of the filter. All filter enclosures are fabricated from sheet steel, no less than .075 inches thick (14 gauge), suitably primed and painted. Each filter enclosure is provided with mounting brackets whose surfaces shall be clean, free of paint, and plated in order to provide a low-impedance ground. The surfaces to which these filters mount will be clean, unpainted, suitably plated surfaces.

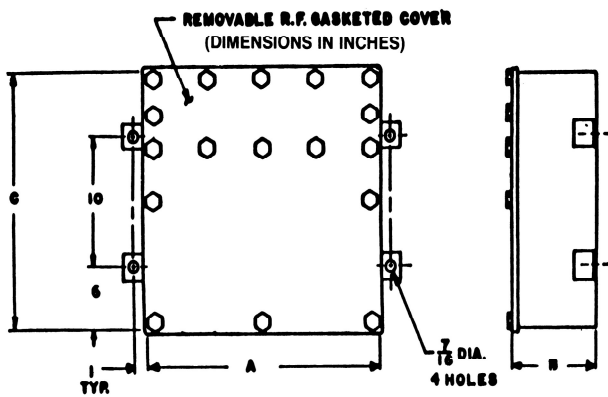




## RF Signal Line Filters for Secure Communications over Telephone and Signal Lines

### FC-1274 SERIES

Cabinets designed to accommodate FC-1270 or FC-1273 filters. Cabinets may be ordered without filters or with up to a maximum amount of filters indicated in the table. When less than maximum number of filters are ordered, the empty spaces will be R.F. plugged.

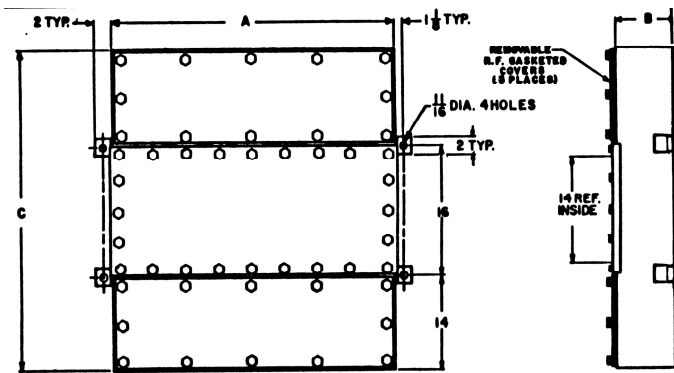


PART NO.	A	B	C	MAX. NO. OF FILTERS	WEIGHT W/ FILTERS (lbs.)
FC-1274C	18	6	22	6	50
FC-1274CL	20	6	22	7	55
FC-1274D	20	8	22	12	65
FC-1274M	24	11	22	20	80
FC-1274N	24	14	22	25	130
FC-1274B	26	14	22	30	145
FC-1274P	30	14	22	35	165
FC-1274Q	35	14	22	40	185
FC-1274R	32	18	22	45	200

PART NO.	A	B	C	MAX. NO. OF FILTERS	WEIGHT W/ FILTERS (lbs.)
FC-1274E	24	14	44	50	240
FC-1274K	26	16	44	66	255
FC-1274L	30	16	44	78	325
FC-1274F	26	18	44	88	340
FC-1274G	44	14	44	100	415
FC-1274H	44	18	44	152	52"
FC-1274A	45	18	44	176	510
FC-1274J	44	24	44	200	650

### FC-560 SERIES

Cabinets designed to accommodate FC-209 or FC-663 filters. (See page 23 for description of filters.) Cabinets may be ordered without filters or with up to the max. number of filters indicated in the table. When less than the maximum number of filters are ordered, the empty spaces will be R.F. plugged.



PART NO.	A	B	C	MAX. NO. OF FILTERS	WEIGHT W/ FILTERS (lbs.)
FC-560N	8	4.38	20	4	30
FC-560K	16.75	4.38	20	10	50
FC-560J	20	4.38	20	12	60
FC-560Q	13.75	8.75	20	16	70
FC-560R	16.75	8.75	20	20	80

PART NO.	A	B	C	MAX. NO. OF FILTERS	WEIGHT W/ FILTERS (lbs.)
FC-560F	18.50	5	40	26	120
FC-560G	18.50	8	40	50	170
FC-560H	36	6.50	40	76	260
FC-560D	36	8	40	100	320
FC-560B	54	8	40	150	450
FC-560E	28.44	17.61	40	200	500
FC-560M	39.50	16	40	252	620
FC-560P	54	18	40	300	785
FC-560A	36	20	40	338	850
FC-560L	72	16	40	400	1000

